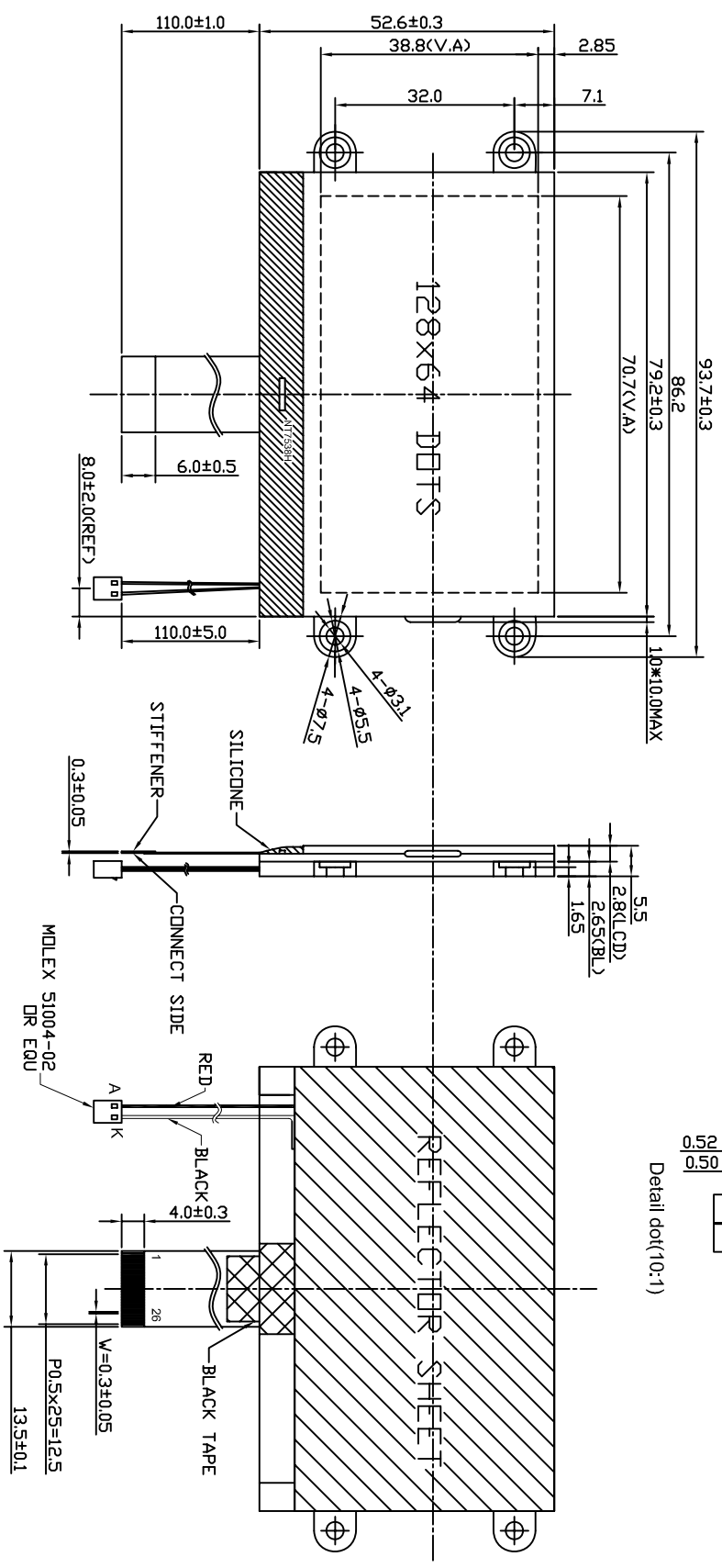
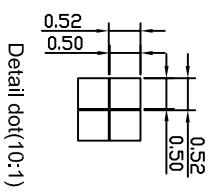


REV	ECN NO.	NATURE OF MODIFICATION	CN/DATE
1		First issued	11/03/2011
2			
3			

LED WIRE	
NO	SYMBOL
1	ANODE
2	CATHODE



26	V0	
25	V4	
24	V3	
23	V2	
22	V1	
21	CAP2-	
20	CAP2+	
19	CAP1+	
18	CAP1-	
17	CAP3+	
16	VOUT	
15	VSS	
14	VDD	
13	D7	
12	D6	
11	D5	
10	D4	
9	D3	
8	D2	
7	D1	
6	D0	
5	/RD	
4	/WR	
3	A0	
2	/RES	
1	CS1	
PIN NO.	SYMBOL	

ITEM	PARAMETERS	ITEM	PARAMETERS
	OPERATING VOLTAGE		OPERATING TEMP
	3.0V		-20°C~70°C
	OPERATING CURRENT		STORAGE TEMP
	--		-30°C~80°C
	LCD DRIVE VOLTAGE		FRONT:TRANSMISSIVE
	8.3V		BACK:TRANSMISSIVE
	DISPLAY MODE		BACK:TRANSMISSIVE
	STN(BLUE)/NEGATIVE/TRANSMISSIVE		LED SIDE WHITE,VF=4.2V
	LCD DRIVE METHOD		YES ■
	1/6SDUTY,1/9BIAS		
	LCD DRIVE IC		
	NT7538H		
	VIEW DIRECTION		
	6:00 O'CLOCK		

UNIT	TOLERANCE	
MM	X.X = ±0.2	
	X.XX = ±0.10	
	ANG = -	
3RD ANGLE		
DR EQU		
SCALE:	1:1	
DRAWN:	Bobby	
CHECKED:		
APPROVED:		
TITLE: XIAMEN ZETTLER ELECTRONICS CO, LTD.		
MODEL NO: AQM1264C-NLW-BBW-F		
PART NO: --		
	REV	A
	SH NO	1/1

DISPLAYTRONIC