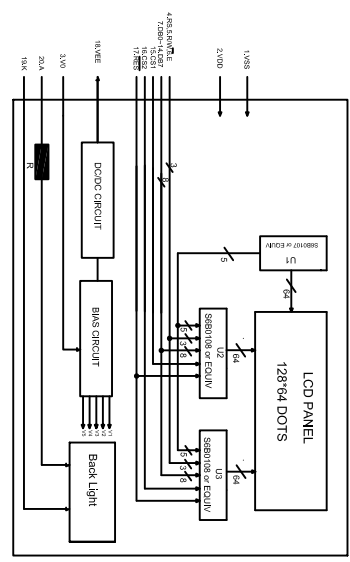
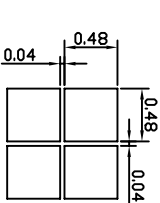


128X64 Dots



BLOCK DIAGRAM



Display Pattern

ITEM	T1	T2
WITH BL	9.3	14.0
WITHOUT BL	4.6	9.5

THE PART NUMBER IN MASS PRODUCTION

1.STN(Y-G)/POSITIVE/TRANSELECTIVE :BL:Y-G LED BACKLIGHT

2.FSTN/POSITIVE/TRANSELECTIVE ; BL:Y-G LED BACKLIGHT

3.STN(BLUE)/NEGATIVE/TRANSMISSIVE :BL:WHITE LED BACKLIGHT

4.STN(GRAY)/POSITIVE/TRANSELECTIVE :BL:Y-G LED BACKLIGHT

5.--

6.--

ITEM	SELECTABLE CONTENTS
STN YELLOW MODE	
STN GRAY MODE	
STN BLUE MODE	
FSTN	
REFLECTIVE	
TRANSELECTIVE	
TRANSMISSIVE, POSITIVE	
TRANSMISSIVE, NEGATIVE	

DISPLAY MODE
STN YELLOW MODE
STN GRAY MODE
STN BLUE MODE
FSTN

POLARIZER TYPE
REFLECTIVE
TRANSELECTIVE
TRANSMISSIVE, POSITIVE
TRANSMISSIVE, NEGATIVE

VIEWING DIRECTION
6 O'CLOCK
12 O'CLOCK

LED BACKLIGHT
WHITE
Y-G
RED
GREEN
BLUE
AMBER
TRI-COLOR

TEMPERATURE RANGE
STANDARD TEMPERATURE
WIDE TEMPERATURE

OPERATING VOLTAGE
5.0V

LED DRIVING VOLTAGE
11.5V

LED DRIVE METHOD
1/64 DUTY 1/9 BIAS

LED DRIVE IC
S6B0108 OR EQUIV

DISPLAYTRONIC

XIAMEN ZETTLER ELECTRONICS CO., LTD.

TITLE: LCM

MODEL NO: AGM1264F SERIES

PART NO:

REV A

SH NO 1/1

1	2	3	4	5	6	7	8									
<table border="1"> <thead> <tr> <th>UNIT</th> <th>TOLERANCE</th> </tr> </thead> <tbody> <tr> <td>MM</td> <td>X.X = ±0.2</td> </tr> <tr> <td>3RD ANGLE</td> <td>X.XX = ±0.10</td> </tr> <tr> <td>ANG =</td> <td>-</td> </tr> </tbody> </table>								UNIT	TOLERANCE	MM	X.X = ±0.2	3RD ANGLE	X.XX = ±0.10	ANG =	-	
UNIT	TOLERANCE															
MM	X.X = ±0.2															
3RD ANGLE	X.XX = ±0.10															
ANG =	-															
<table border="1"> <thead> <tr> <th>SCALE:</th> <td>1:1</td> </tr> <tr> <th>DRAWN:</th> <td></td> </tr> <tr> <th>CHECKED:</th> <td></td> </tr> <tr> <th>APPROVED:</th> <td></td> </tr> </thead> </table>								SCALE:	1:1	DRAWN:		CHECKED:		APPROVED:		
SCALE:	1:1															
DRAWN:																
CHECKED:																
APPROVED:																
<table border="1"> <thead> <tr> <th>ITEM</th> <th>T1</th> <th>T2</th> </tr> </thead> <tbody> <tr> <td>WITH BL</td> <td>9.3</td> <td>14.0</td> </tr> <tr> <td>WITHOUT BL</td> <td>4.6</td> <td>9.5</td> </tr> </tbody> </table>								ITEM	T1	T2	WITH BL	9.3	14.0	WITHOUT BL	4.6	9.5
ITEM	T1	T2														
WITH BL	9.3	14.0														
WITHOUT BL	4.6	9.5														
<p>NOTE:</p> <ol style="list-style-type: none"> The backlight can be driven by pin 19, pin 20 or A, K which is selectable. The power supply for backlight is depended on the backlight color and the value of current-limiting resistance. 																